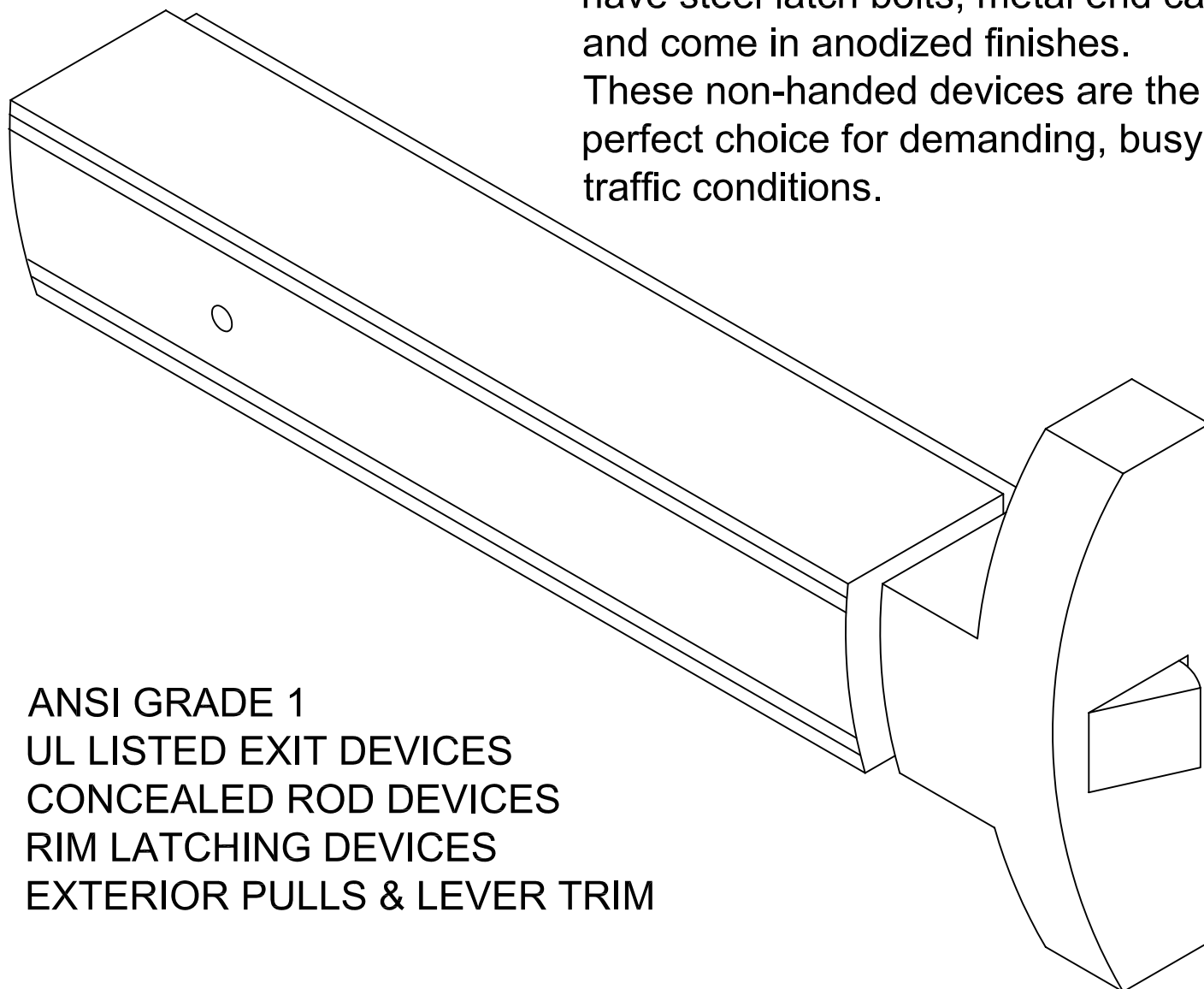


|               |           |                    |          |
|---------------|-----------|--------------------|----------|
| PROJECT NAME: | CUSTOMER: | PURCHASE ORDER NO. | CONTACT: |
|---------------|-----------|--------------------|----------|

SERIES 4600 CONCEALED VERTICAL ROD EXIT DEVICE  
SERIES 4700 RIM LATCHING EXIT DEVICE

Sleek and attractive, these devices have steel latch bolts, metal end caps and come in anodized finishes. These non-handed devices are the perfect choice for demanding, busy traffic conditions.



ANSI GRADE 1  
 UL LISTED EXIT DEVICES  
 CONCEALED ROD DEVICES  
 RIM LATCHING DEVICES  
 EXTERIOR PULLS & LEVER TRIM

SERIES: 4600  4700

FINISH: COMM CLEAR  BRONZE ANO.

CUSTOM COLOR # \_\_\_\_\_

DOOR SIZE: 30  36  42  48

DOOR HEIGHT: \_\_\_\_\_

OMG-CATALOG-73-01.DWG