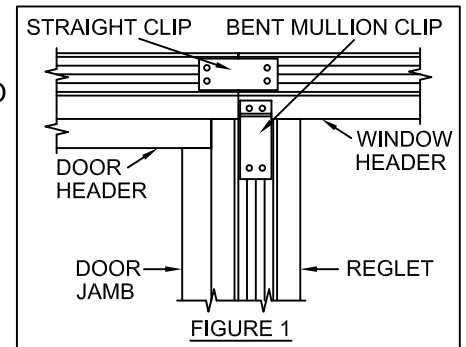


SIDELITE INSTALLATION INSTRUCTIONS

1. FOLLOW STEPS 1 THRU 10 OF DOOR FRAME INSTALLATION INSTRUCTIONS.

2. ASSEMBLE VERTICAL DOOR MULLION BY SLIPPING REGLET INTO DOOR JAMB AND SCREW TOGETHER USING #8 SELF-DRILLING SCREWS.

3. SET SIDELIGHT HEADER OVER WALL BUTTING IT UP AGAINST DOOR HEADER AND ATTACH TO DOOR HEADER USING STRAIGHT CLIPS WITH #8 SELF-DRILLING SCREWS (FIG. 1).

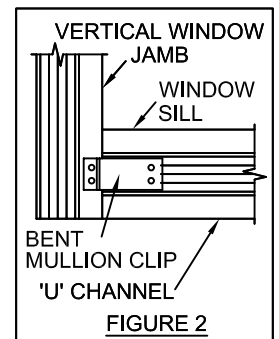


4. PLACE DOOR JAMB MULLION UNDER WINDOW HEADER, USE A SQUARE TO CHECK THAT IT IS SET AT 90 DEGREES FROM HEADERS. ATTACH DOOR JAMB MULLION TO WINDOW HEADER USING BENT MULLION CLIPS BY USING #8 SELF-DRILLING SCREWS (FIG. 1).

5. PROCEED TO SECTION 'A' OR 'B' BELOW DEPENDING ON FIELD CONDITIONS.

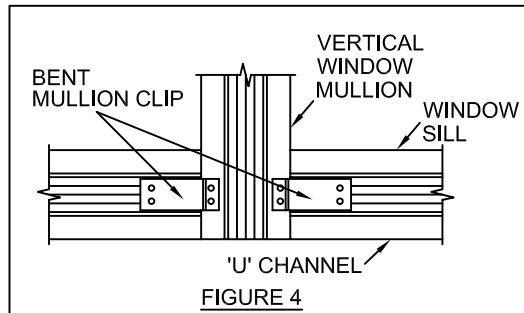
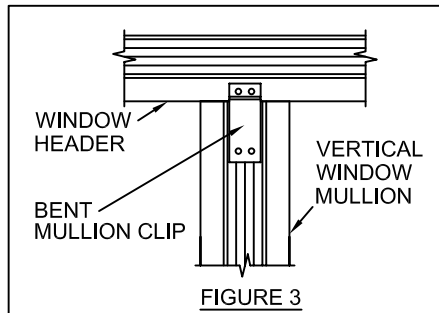
A. FOR FULL HEIGHT SIDELITES SUPPLIED WITH 'U' CHANNEL:

5. STARTING AT ONE SIDE, SHOOT SILL 'U' CHANNEL TO FLOOR WITH REDHEADS OR EQUIVALENT, TIGHT TO VERTICAL WINDOW JAMB. SLIP SILL OVER 'U' CHANNEL (REMOVEABLE STOP SHOULD BE ON SECURE SIDE OF ROOM), SCREW ON, AND ATTACH TO VERTICAL WINDOW JAMB USING BENT MULLION CLIP (FIG. 2)



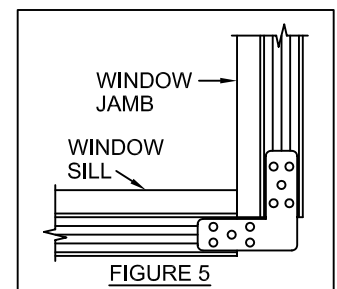
IF THERE ARE NO VERTICAL MULLIONS, SKIP STEP 6

6. ASSEMBLE VERTICAL MULLION(S). SET TIGHT TO HEADER AND SILL. ATTACH MULLION TO HEADER (FIG. 3) AND SILL (FIG. 4) USING MULLION CLIPS. BE SURE TO SPACE CLIP AT LEAST 1/8" FROM TRIM RECIVER TO AVOID NOTCHING TRIM AROUND CLIPS. REPEAT STEPS 5 AND 6 FOR EACH MULLION.



B. FOR OPENINGS FRAMED AT BOTTOM WITH STUD/DRYWALL OR TRACK (BY OTHERS)

7. STARTING AT ONE SIDE, SET WINDOW SILL OVER WALL AT BOTTOM TIGHT TO WINDOW JAMB (REMOVEABLE SILL STOP SHOULD BE ON SECURE SIDE OF ROOM). SCREW ON, AND ATTACH TO WINDOW JAMB WITH CORNER CLIPS (FIG. 5) USING #8 SELF-DRILLING SCREWS.

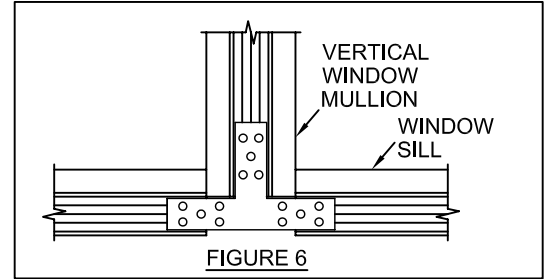


OMG-CATALOG-69-01.DWG

SIDELITE INSTALLATION INSTRUCTIONS CONTINUED

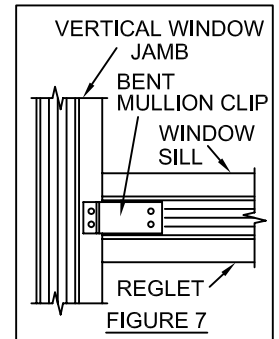
IF THERE ARE NO VERTICAL MULLIONS, SKIP STEP 8

8. ASSEMBLE VERTICAL MULLION(s). SET TIGHT TO WINDOW HEADER AND SILL. ATTACH MULLION TO WINDOW HEADER USING STRAIGHT CLIPS (FIG. 3). BE SURE TO SPACE CLIP AT LEAST 1/8" FROM TRIM RECEIVER TO AVOID NOTCHING TRIM AROUND CLIPS. ATTACH MULLION TO SILL USING T-CLIPS (FIG. 6) USING #8 SELF-DRILLING SCREWS.



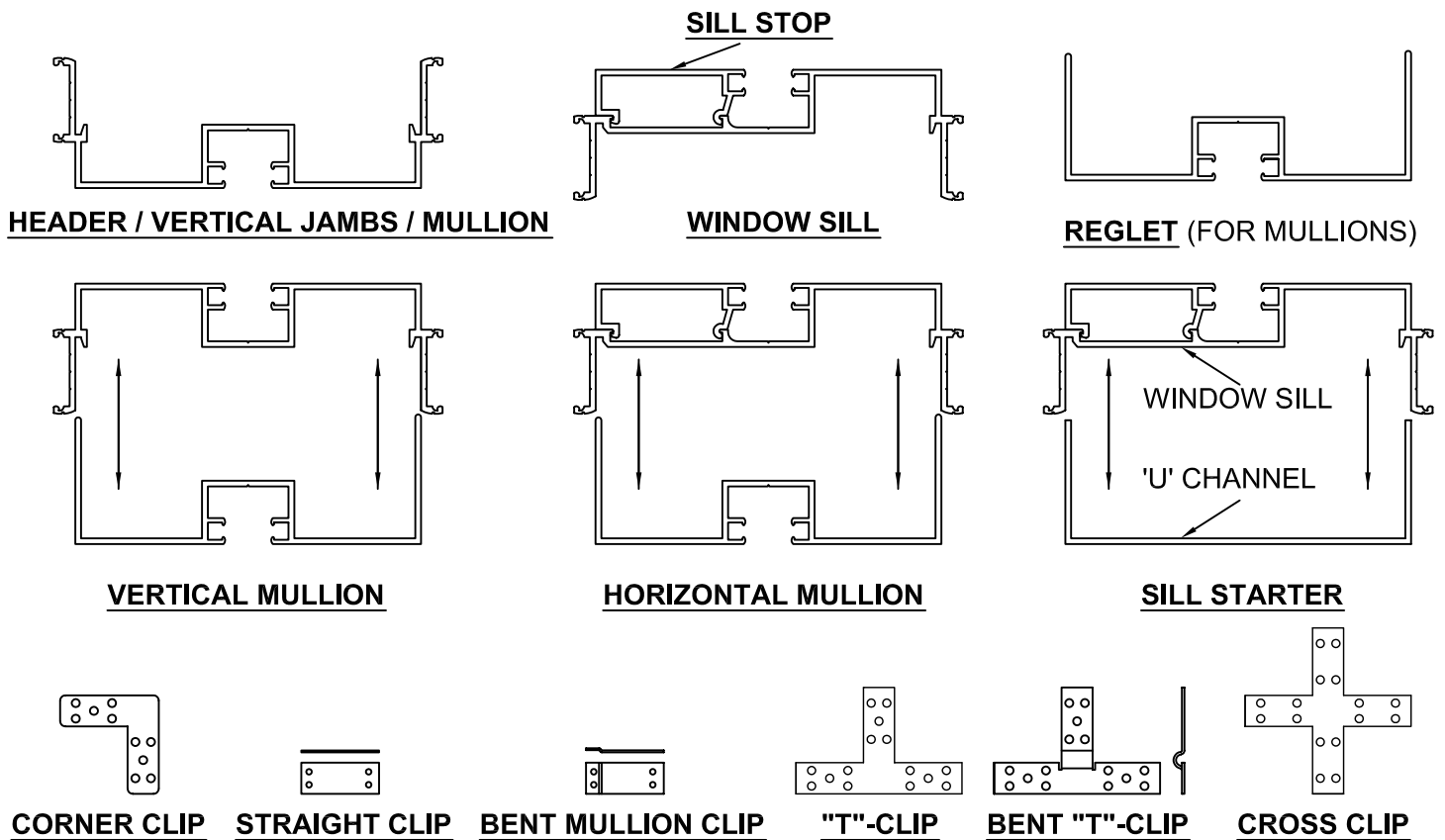
9. ATTACH SILL TO WINDOW JAMB AS IN STEP 7.

10. ASSEMBLE HORIZONTAL MULLIONS AND ATTACH TO VERTICAL JAMBS OR MULLIONS WITH BENT MULLION CLIPS USING #8 SELF-DRILLING SCREWS (FIG. 7). BE SURE TO SPACE CLIP AT LEAST 1/8" FROM TRIM RECEIVER TO AVOID NOTCHING TRIM AROUND CLIPS. (REMOVABLE SILL STOP SHOULD BE AT TOP AND ON SECURE SIDE OF ROOM.



11. SNAP ON TRIM TO COMPLETE INSTALLATION.

COMPONENT PROFILES



OMG-CATALOG-70-01.DWG