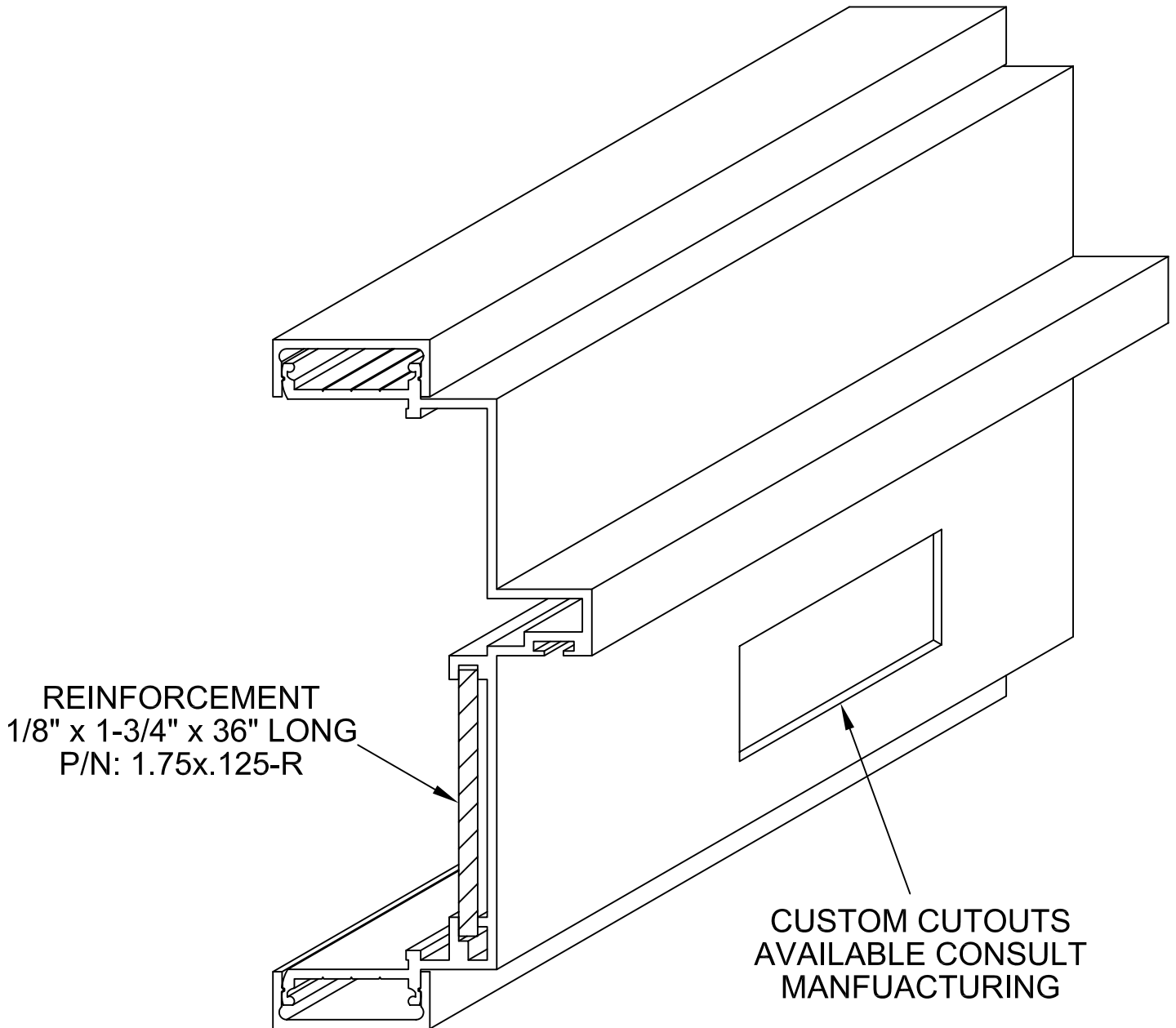


# ILLUSTRATION OF CONCEALED ARM REINFORCEMENT



## ALL REINFORCEMENT REQUIRES CUSTOMER / INSTALLER TO FABRICATE MOUNTING / THROUGH HOLES

THE FOLLOWING WALL THICKNESS AND TRIM STYLES ARE READILY AVAILABLE TO FIT YOUR NEEDS  
NOTE: ALL FRAMES ARE QUOTED WITH STANDARD #100 TRIM AND WITH OUT REINFORCEMENT.

OMG-CATALOG-42-01.DWG



www.omegamfg.com  
E-mail: omegainfo@omegamfg.com  
Omega Door Frame Products, Inc.  
1222 Ardmore Ave., Itasca, IL 60143  
630.773.9900; FAX 800.932.9224

© 2005 OMEGA Inc.  
printed in USA

PAGE 42

ISSUED 04-05-05