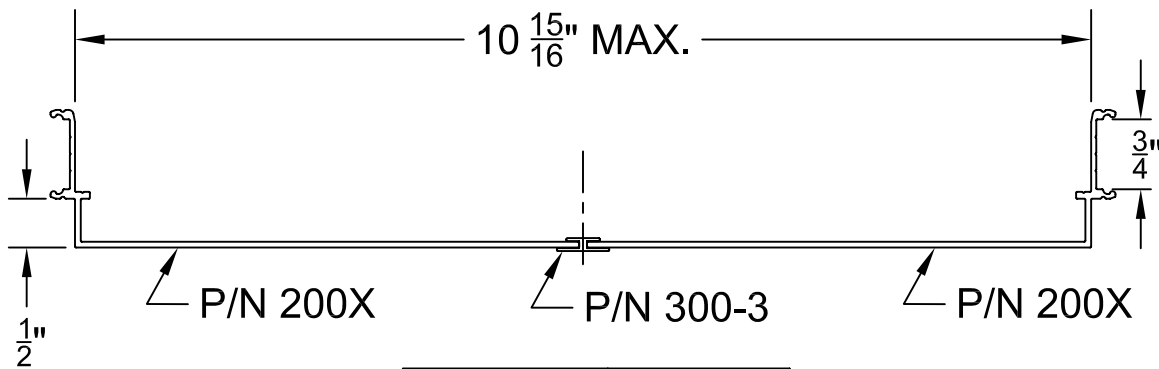


## 10-15/16" MAX WIDTH ADJUSTABLE CASE OPENING SYSTEM



PART NO.	WT. / FT.
200X	0.776 EACH
300-3	0.050