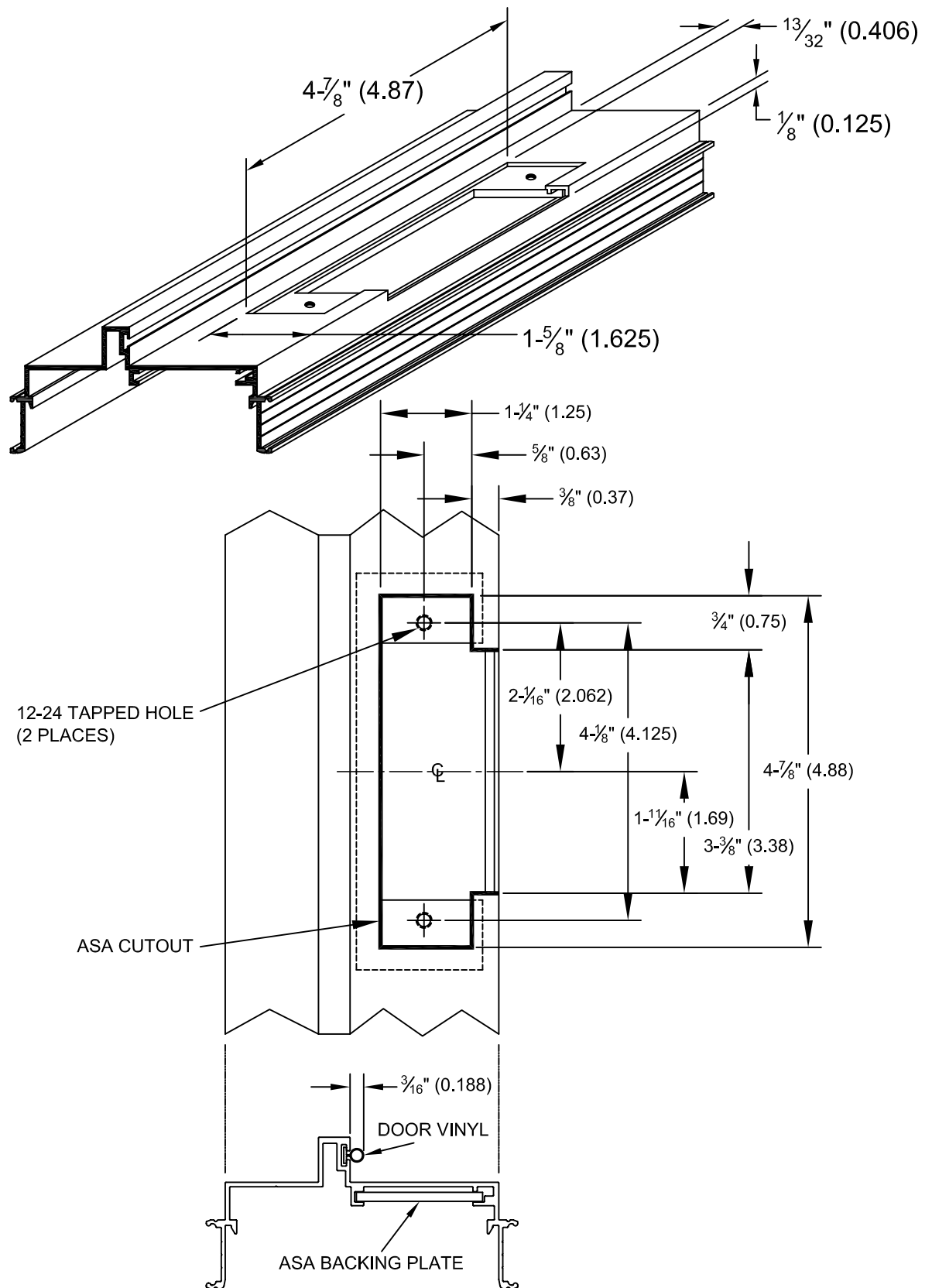


ASA STRIKE OFFSET DIMENSIONS



NOTE: ALL DIMENSIONS ARE NOMINAL +/- $\frac{1}{64}$ (0.015)

OMG-CATALOG-13-01.DWG